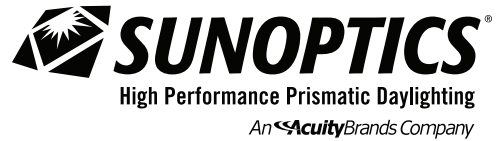


Signature Series Dome

Fixed Industrial Skylight



Frame Model 800MD

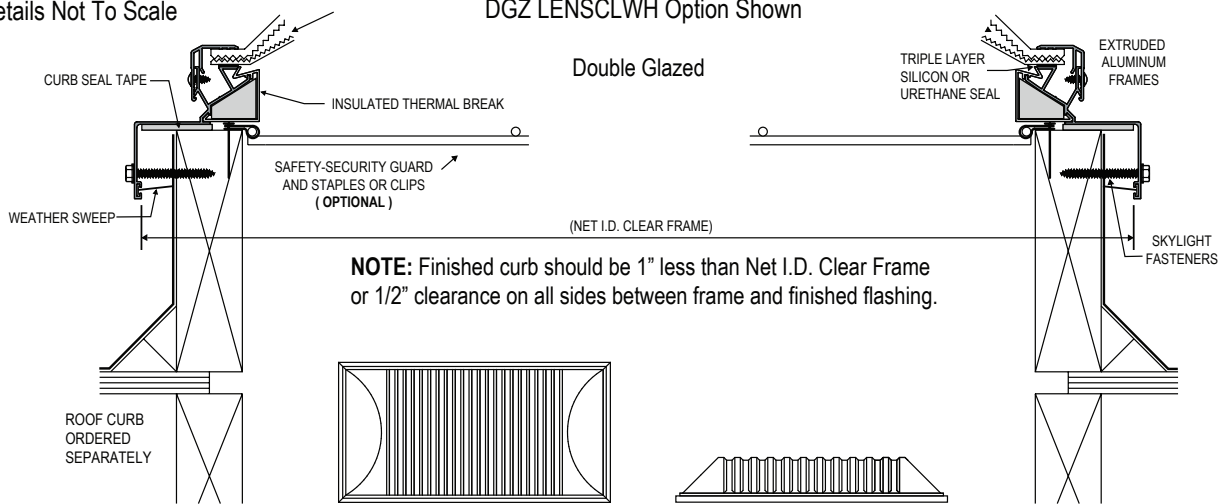
AVAILABLE CERTIFICATIONS

- FM Approval # 4431
- High Velocity Hurricane Zone Approved
- CE Certified
- Class 1, Class 3 and Class 4 Hail Ratings Available (Class 1 Default)

PRODUCT PROFILE

Details Not To Scale

DGZ LENSCLWH Option Shown



SPECIFICATIONS

Skylights shall be Sunoptics model 800MD (curb mounted) as manufactured by Sunoptics Skylights, an Acuity Brands Company, 6201 27th Street, Sacramento CA 95822 916/395-4700.

Skylights shall be glazed ready for installation.

Skylight frames shall be fabricated from 6063 T6 aluminum, finish to be natural mill. Frames shall have integral condensation and weepage gutters which drain interior moisture to the outside. Corners shall be mitered and welded. The acrylic glazing shall be separated from the skylight frame with a Silicon Seal.

Skylights shall be glazed using 50% or 100%, Impact Modified CC2 Prismatic Acrylic and/or CC1 rated, Prismatic polycarbonate in a Signature Series Dome configuration.

FM Approved Skylights shall be Double glazed using CLEAR ARMOR® Clear Polycarbonate Prismatic over CLEAR ARMOR® High White Polycarbonate Prismatic lens, CC1/Class A Rated, FM Approved, 5 year hail proof warranted.

FM Approved Skylights shall be tested and approved under Factory Mutual #4431 testing method for fixed skylights. Class A / CC1 flame rating. Standard Size units up to 5080 are tested and certified to AAMA/WDMA/CSA101/I.S.2/A440 to comply with section 2405.5 of the International Building Code.

Note: Multi-glazed units default to include Insulated Thermal Break (ITBR), Curb Seal Tape, Weather Sweep (WSW) and screws. Single-glazed units default to not included any of these options.

Testing was performed on HVHZ skylights per Florida Building Code, Test Protocols for High Velocity Hurricane Zone (HVHZ), Protocols TAS 201, TAS 202 and TAS 203. The samples tested met the performance requirements set forth in the protocols for a ±60.0 psf Design Pressure rating.

Note: Specifications subject to change without notice.

Type	SHGC	U-Value	VLT
Single Glazed Acrylic CL1	.51	n/a	.74
Single Glazed Poly	.51	n/a	.70
Double Glazed Acrylic/Acrylic	.42	.74	.68
Doubled Glazed (FM) Poly/Poly	.42	.74	.64
Double Glazed (HVHZ) Poly/Acrylic	.42	.74	.65
Triple Glazed Class 1 Acrylic/Acrylic/Acrylic	.33	.62	.62
Triple Glazed Class 3 Acrylic/Acrylic/Acrylic	.33	.62	.63

ORDERING LOGIC

Signature Series Dome

Fixture	ID Frame Call-Out	ID Frame Width	ID Frame Length	Glazing	Lens Material
SIG Signature Series	2020 27-1/4" x 27-1/4" / 692mm x 692 mm	W27.250 (692 mm)	L27.250 (692 mm)	SGZ Single Glaze	CC1CC2 Polycarbonate / Acrylic
	2040 27-1/4" x 51-1/4" / 692mm x 1302mm	W27.250 (692 mm)	L51.250 (1302 mm)	DGZ Double Glaze	CC1 Polycarbonate
	2080 27-1/4" x 99-1/4" / 692mm x 2521mm	W27.250 (692 mm)	L99.250 (2521 mm)	TGZ Triple Glaze	CC2CL1 Acrylic Class 1
	20100 27-1/4" x 123-1/4" / 692mm x 3131mm	W27.250 (692 mm)	L123.250 (3131 mm)		CC2CL3 Acrylic Class 3
	3030 39-1/4" x 39-1/4" / 997mm x 997mm	W39.250 (997 mm)	L39.250 (997 mm)		
	3050 39-1/4" x 63-1/4" / 997mm x 1607mm	W39.250 (997 mm)	L63.250 (1607 mm)		
	3060 39-1/4" x 75-1/4" / 997mm x 1911mm	W39.250 (997 mm)	L75.250 (1911 mm)		
	3080 39-1/4" x 99-1/4" / 997mm x 2521mm	W39.250 (997 mm)	L99.250 (2521 mm)		
	30100 39-1/4" x 123-1/4" / 997mm x 3131mm	W39.250 (997 mm)	L123.250 (3131 mm)		
	4040 51-1/4" x 51-1/4" / 1302mm x 1302mm	W51.250 (1302 mm)	L51.250 (1302 mm)		
	4050 51-1/4" x 63-1/4" / 1302mm x 1607mm	W51.250 (1302 mm)	L63.250 (1607 mm)		
	4060 51-1/4" x 75-1/4" / 1302mm x 1911mm	W51.250 (1302 mm)	L75.250 (1911 mm)		
	4070 51-1/4" x 87-1/4" / 1302mm x 2216mm	W51.250 (1302 mm)	L87.250 (2216 mm)		
	4080 52-1/4" x 100-1/4" / 1327mm x 2546mm	W52.250 (1327 mm)	L100.250 (2546 mm)		
	40100 52-1/4" x 123-1/4" / 1327mm x 3131mm	W52.250 (1327 mm)	L123.250 (3131 mm)		
	5050 63-1/4" x 63-1/4" / 1607mm x 1607mm	W63.250 (1607 mm)	L63.250 (1607 mm)		
	5060 63-5/8" x 75-5/8" / 1616mm x 1921mm	W63.625 (1616 mm)	L75.625 (1921 mm)		
	5558 67-3/4" x 70-3/4" / 1721mm x 1797mm	W67.750 (1721 mm)	L70.750 (1797 mm)		
	5070 63-1/4" x 87-1/4" / 1607mm x 2216mm	W63.250 (1607 mm)	L87.250 (2216 mm)		
	5080 63-1/4" x 99-1/4" / 1607mm x 2521mm	W63.250 (1607 mm)	L99.250 (2521 mm)		
	50100 63-1/4" x 123-1/4" / 1607mm x 3131mm	W63.250 (1607 mm)	L123.250 (3131 mm)		

Use **CUST** for Custom sized units. **W**____ Custom Width **L**____ Custom Width

Lens Colors	Unit Type	Continuous Venting	Skylight Frame Finish	Options
LENSWH White (Single Glaze Default) ¹	800MD Standard Frame	(blank) No venting	MI Mill (Default)	(blank) No Options
LENSCL Clear ¹	800SC So-Cal Skylight	1BL 1 Blade Continuous Vent	WH White	FMRTG Factory Mutual Approved ^{4,5}
LENSWHCL White Clear ²	805SC Continuous Vent	2BL 2 Blade Continuous Vent	BZ Bronze	HVHZ High Velocity Hurricane Zone ^{4,5}
LENSCLWH Clear White (Double Glaze Default) ²		3BL 3 Blade Continuous Vent	CF Custom	CE European Standard Certified ⁴
LENSWHWH White White ²		4BL 4 Blade Continuous Vent		LARR Los Angeles Approved ⁴
LENSCLCL Clear Clear ²		5BL 5 Blade Continuous Vent		ITBR Insulated Thermal Break
LENSWHWHWH White White White ³		6BL 6 Blade Continuous Vent		NITBR No Insulated Thermal Break
LENSCLCLCL Clear Clear Clear ³		7BL 7 Blade Continuous Vent		WSW Weather Sweep ⁶
LENSCLWHCL Clear White Clear (Triple Glaze Default) ³		8BL 8 Blade Continuous Vent		NWSW No Weather Sweep
LENSWHCLWH White Clear White ³		9BL 9 Blade Continuous Vent		SCRN Bug Screen ⁷
LENSCLWHWH Clear White White ³		10BL 10 Blade Continuous Vent		
LENSWHCLCL White Clear Clear ³				

- 1) Single Glaze
- 2) Double Glaze
- 3) Triple Glaze
- 4) Certified units can ONLY be Single or Double Glazed, and are NOT available for the following sizes: 20100, 30100, 40100, 5558, 50100
- 5) FMRTG and HVHZ options available only with CC1HVHZ or CC1 Lens Material only
- 6) Weather Sweep available with Mill finish only
- 7) Bug Screen available with Continuous Venting units only

