



Series 1400 HWHS Skylights

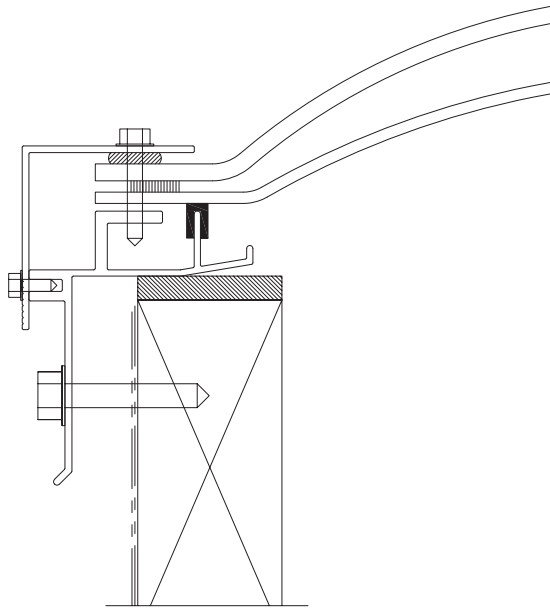
Product Data Sheet

Heavy Weather + High Security (HWHS)
Tornado + High Velocity Hurricane Zones (HVHZ)

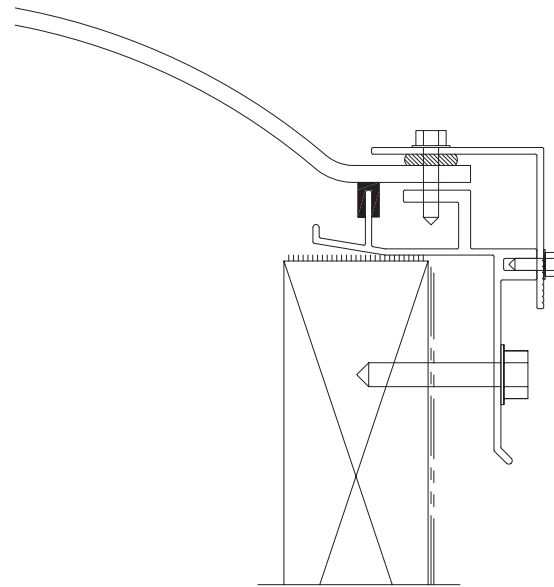


Application

The skylight shall be fully factory assembled, consisting of a monolithic polycarbonate dome that is sealed by interior and exterior gaskets. The skylight frame is fabricated from 6063-T5 heliarc welded aluminum. The frame is to have an integral condensation channel to carry moisture to the exterior. The vertical aluminum retaining cap fasteners are to be stainless steel screws with neoprene washers at 6" centers. The horizontal aluminum retaining cap fasteners are to be stainless steel screws at 6" centers. Requires 1/4" Galvanized lag screw curb fasteners, provided by others, attached at 9" centers. The skylight shall be installed on a 1-1/2" wide curb furnished by others. An optional aluminum self-flashing curb has a 3" roof nailing flange.



Curb Mounted



Curb Mounted

Dimensions

Model Size	Rough Opening Dimensions	Outside Curb Dimensions	Model Size	Rough Opening Dimensions	Outside Curb Dimensions	Model Size	Rough Opening Dimensions	Outside Curb Dimensions
4646	46-1/4" x 46-1/4"	49-1/4" x 49-1/4"	4884	48" x 84"	51" x 87"	6072	60" x 72"	63" x 75"
4848	48" x 48"	51" x 51"	4896	48" x 96"	51" x 99"	6096	60" x 96"	63" x 99"
5555	55" x 55"	58" x 58"						

Technical Specifications

Hurricane Conformance	Metro Dade County (NO# 20-0811.06) Florida Building Code (FL34558)
Combustion Classification	CC1 Rated

Features

1. Extruded 6063-T5 mill finish aluminum frame
2. Curb mounted (CM), Curb mounted with EPDM tape (CT) or Self flashing (SF)
3. Monolithic polycarbonate glazing
4. 3" nailing flange (self flashing models only)
5. Santoprene thermoplastic gaskets
6. Black butyl retainer cap sealant
7. Polyurethane glazing sealants

Skylight Options

1. Single (1) or double (2) glazed
2. Standard glazing colors*:
 - a. Clear Monolithic Polycarbonate (CPC)
 - b. White Monolithic Polycarbonate (WPC)

Self Flashing Curb Options

1. Curb heights:
 - a. 6"
 - b. 9"
 - c. 12"
2. Insulated curb (INS)
3. Wood nailer (WN)
4. Non-welded double wall (DW)
5. Welded double wall (WDW)
6. Aluminum Termination Bar (TB)

Accessories

1. Roof Safety
 - a. External safety cages (SCAGE)
 - b. Safety screens (SSCRN)
 - c. Security grills (SG)

Warranty

For a period of ten (10) years from the date of purchase, Kingspan Light + Air warrants that the Series 1400 HWHS skylights will be free from defects in material and workmanship and that no water will leak through the commercial curb top or self flashed skylight. This warranty also includes coverage against documented 2" hail stones or smaller as well as cracking or crazing of polycarbonate dome material that would result in a water leak. Exceptions apply, see 10-year warranty document.

IMPORTANT SAFETY NOTE:

The owner must take steps to protect personnel who may be in the area of the skylight or smoke vent. The owner should restrict access only to authorized personnel who have been adequately cautioned as to the location of the skylights or smoke vents and informed of the warnings below. Because there is a risk of fall and resulting personal injury, we recommend protective guardrails, internal safety screens or external cages around all skylights and smoke vents, as well as the use of fall restraint systems. We also recommend that skylights and smoke vents are inspected annually for evidence of damage, such as cracks or penetrations. Any damage should be repaired immediately, and the area beneath the skylight or smoke vent should be safeguarded against falling objects.

Kingspan Light + Air

North American Headquarters

28662 N. Ballard Dr.

Lake Forest, IL 60045

Toll Free: +1 800 759 6985

T: +1 847 816 1060

F: +1 847 816 0425

E: info@kingspanlightandair.us

www.kingspanlightandair.us



To ensure you are viewing the most recent and accurate product information, please scan the QR code above

Care has been taken to ensure that the contents of this publication are accurate, but Kingspan Limited and its subsidiary companies do not accept responsibility for errors or for information that is found to be misleading. Suggestions for, or description of, the end use or application of products or methods of working are for information only and Kingspan Limited and its subsidiaries accept no liability in respect thereof.

For the product offering in other markets please contact your local sales representative or visit kingspan.com

© Kingspan and the Lion Device are Registered Trademarks of the Kingspan Group plc in the US, Canada and other countries.

© Kingspan Light + Air

MKT-PDS-1401-2402

